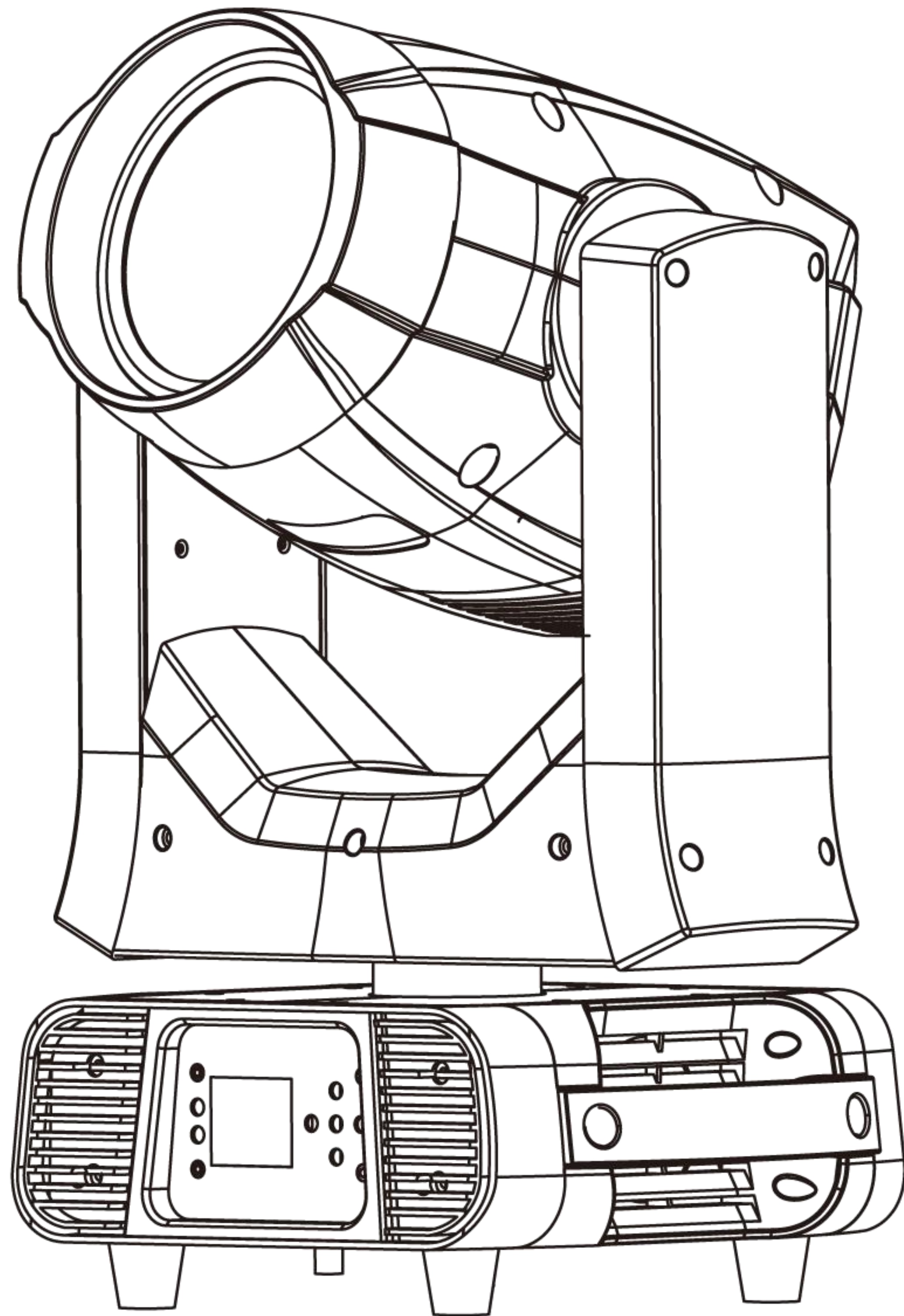


# JUNIOR R



## JUNIOR 7R BEAM JNR-8220L



# **1 SAFETY INSTRUCTIONS**



## **CAUTION**

Becareful with your operations. With a dangerous voltage you can suffer a dangerous electric shock when touching wires!

This device has left the factory in perfect condition. In order to maintain this condition and to ensure a safe operation, it is absolutely necessary for the user to follow the safety instructions and warning notes written in this user manual.



## **IMPORTANT**

Damages caused by the disregard of this user manual are not subject to warranty. The dealer will not accept liability for any resulting defects or problems.

If the device has been exposed to temperature changes due to environmental changes, do not switch it on immediately. The arising condensation could damage the device. Leave the device switched off until it has reached room temperature.

This device falls under protection-class I. Therefore it is essential that the device be earthed.

The electric connection must carry out by qualified person.

The device shall only be used with rate voltage and frequency.

Make sure that the available voltage is not higher than stated at the end of this manual.

Make sure the power cord is never crimped or damaged by sharp edges. If this would be the case, replacement of the cable must be done by an authorized dealer.

Always disconnect from the mains, when the device is not in use or before cleaning it. Only handle the power cord by the plug. Never pull out the plug by tugging the power cord.

During initial start-up some smoke or smell may arise. This is a normal process and does not necessarily mean that the device is defective, it should decrease gradually.

Please don't project the beam onto combustible substances.

Fixtures cannot be installed on combustible substances, keep more than 50cm distance with wall for smooth air flow, so there should be no shelter for fans and ventilation for heat radiation.

If the external flexible cable or cord of this luminaire is damaged, it shall be exclusively replaced by the manufacturer or his service agent or a similar qualified person in order to avoid a hazard.



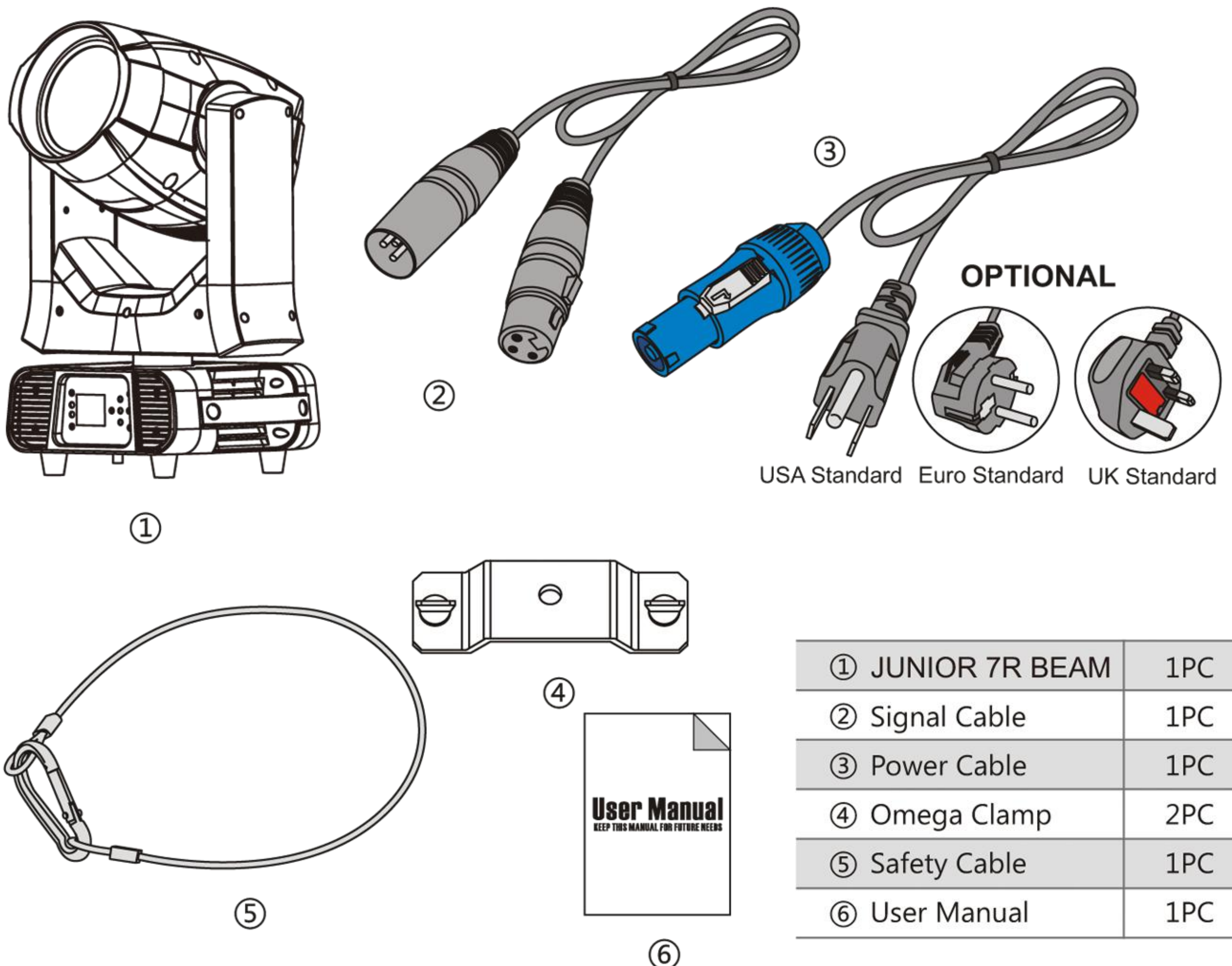
## 2 UNPACKING

Thank you for choosing our JUNIOR 7R BEAM. For your own safety, please read this manual before installing the device. This manual covers the important information on installation and applications. Please install and operate the fixture with following instructions. Meanwhile, please keep this manual well for future needs.

The JUNIOR 7R BEAM is a stylish moving head beam in a very compact and lightweight housing. It delivers high light output and even coverage field. It features a 230W Lamp. The lamp equips with the reflector built-in, providing perfect lamp alignment. The moving head features ultra sharp beam effect with low consumption. The fixture is integrated with a full complement of professional characteristics including a static gobo wheel, color wheel, 8+16-Facet prism, frost filter, motorized linear focus, variable speed shutter/strobe, linear dimmer, color time and gobo time controllable. The fixture supports DMX, RDM (Remote Device Management).

The fixture's exterior housing is beautifully balanced basing on a modern design philosophy with supremely harmonious interior structure for remarkable control. The sculpted body of the JUNIOR 7R BEAM achieves more than just a striking look. The 2\*1/4 turn fastening omega clamps, available for vertical and horizontal plug-in, make installations fast and easy.

It's applicable for large scale live concerts, TV productions, road shows, clubs, etc.



① JUNIOR 7R BEAM	1PC
② Signal Cable	1PC
③ Power Cable	1PC
④ Omega Clamp	2PC
⑤ Safety Cable	1PC
⑥ User Manual	1PC



# **3** **FEATURES & SPECIFICATIONS**

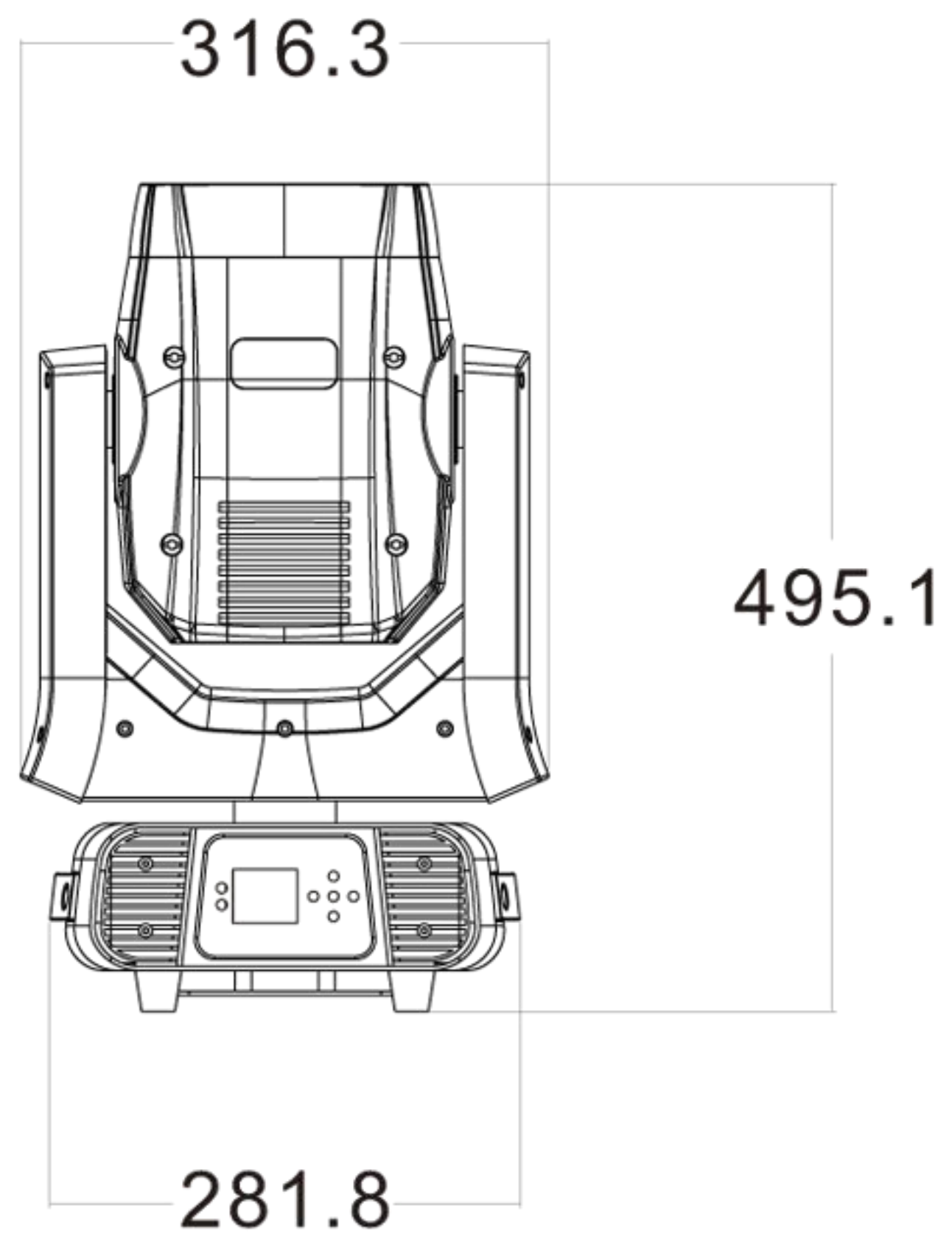
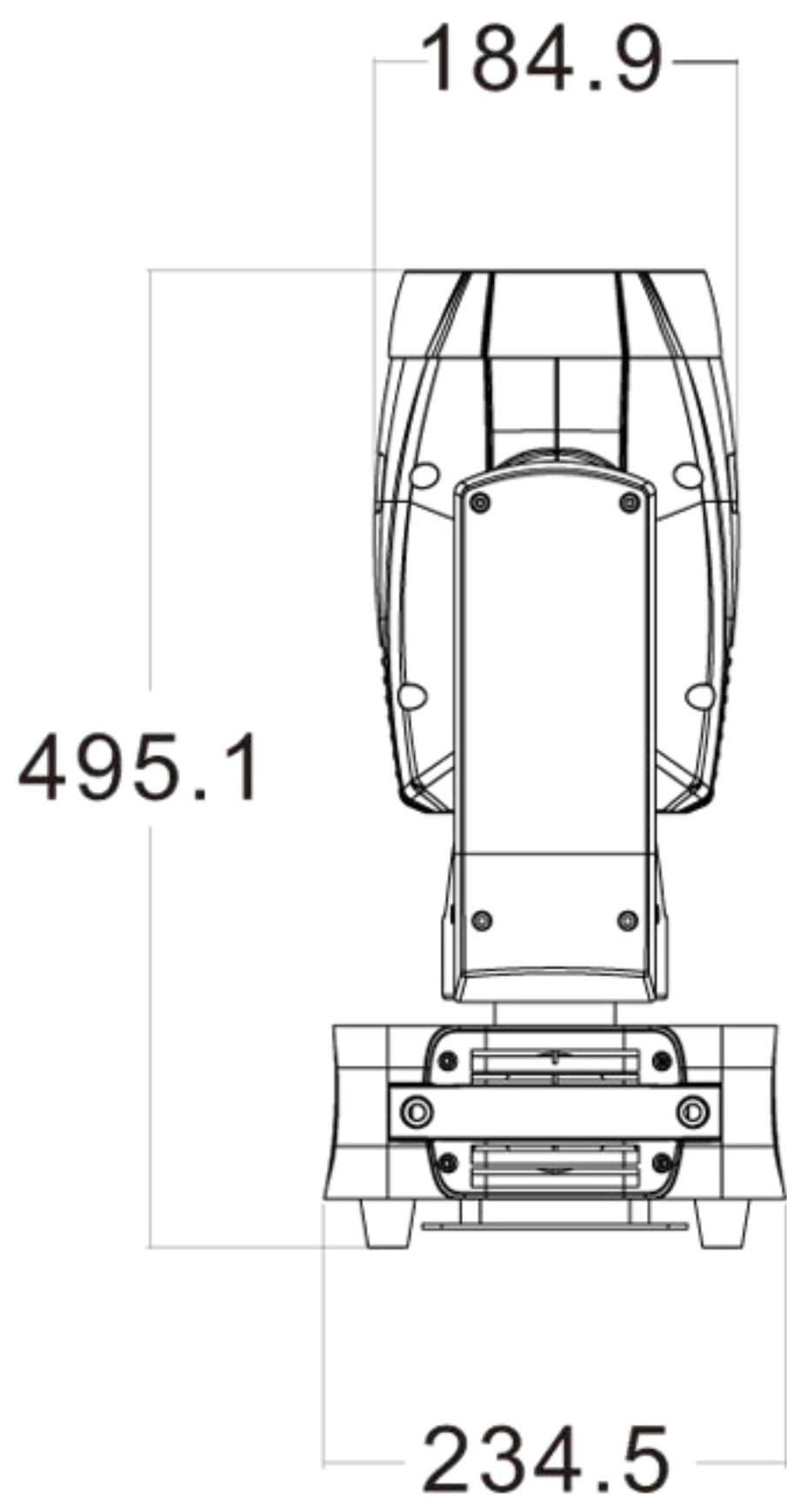
## **Features**

- 1\*230W Lamp
- 2000 hours lifespan and low power consumption
- 2.5° Beam angle
- No need for adjustment of reflector or lamp
- Anti-reflection 116mm front lens
- 1 Color wheel with 14 dichroic colors plus open (half-way color mode available)
- Variable direction rainbow effect with speed adjustable
- 1 static gobo wheel with 17 gobos plus open
- (8+16)-Facet prism with variable speed and direction
- Variable Frost Filter (Hybrid effect for Wash)
- Dual flag mechanical dimming system
- Variable direction rainbow effect with speed adjustable
- Preset variable/random strobe and dimming pulse effects
- Motor driven focus from near to far
- 540° PAN and 270° TILT movement
- Automatic Pan / Tilt position correction
- Smooth, fast and precise resolution for PAN/TILT movement with low noise operation
- Blue LCD Display
- 16/20 DMX channels USITT DMX-512
- DMX, stand-alone, master/slave, sound activated mode
- DMX recorder and edit function integrated
- 3-Pin XLR connectors IN/OUT
- Fan cooling system
- 2\*1/4 turn fastening Omega Clamps (Adaptable vertically and horizontally)
- Electronic ballast and Electronic supply

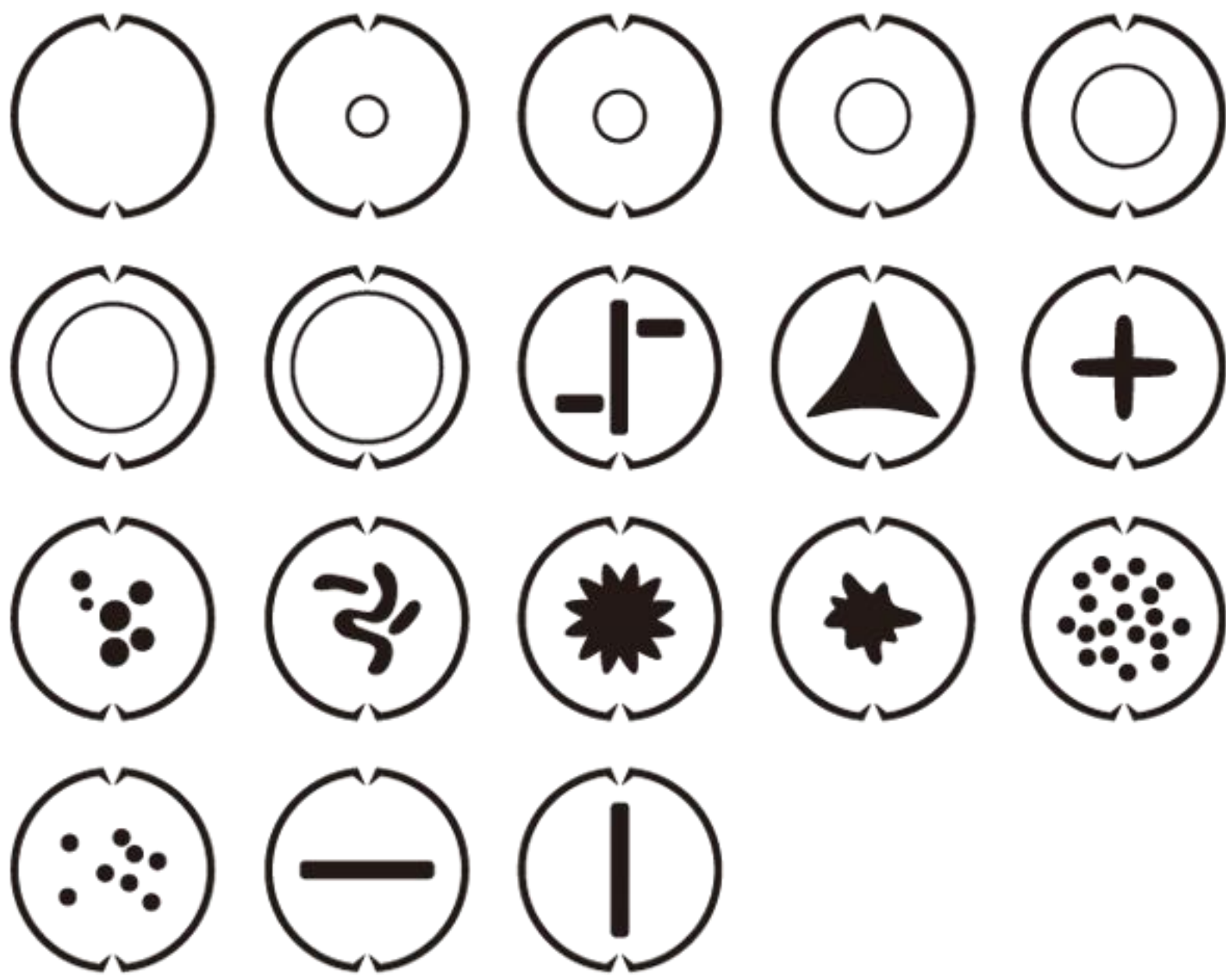
## **Specifications**

<b>Input Voltage:</b>	AC100-240V 50/60Hz
<b>LED Quantities:</b>	1*230W Lamp
<b>Control Signal:</b>	DMX512, master-slave and sound activated or auto operation
<b>Control Channel:</b>	16/20 DMX channels USITT DMX-512
<b>Power Consumption:</b>	350W
<b>Dimensions:</b>	270(D)*310(W)*495(H)mm
<b>Packing Dimensions:</b>	365 (D) *360 (W) *520 (H) mm
<b>Net Weight:</b>	11.92kg
<b>Gross Weight:</b>	14.26kg

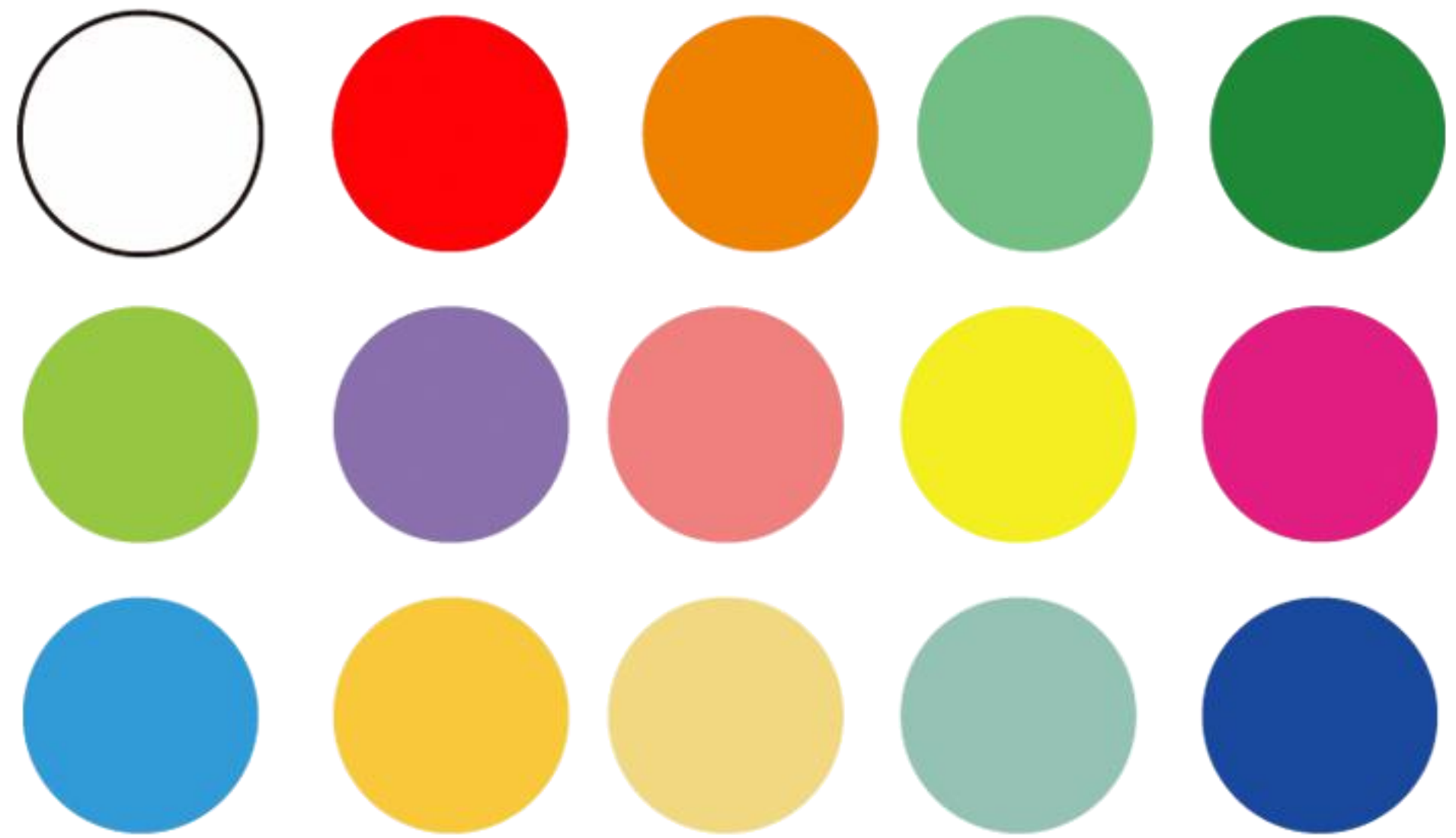




**Static gobos**



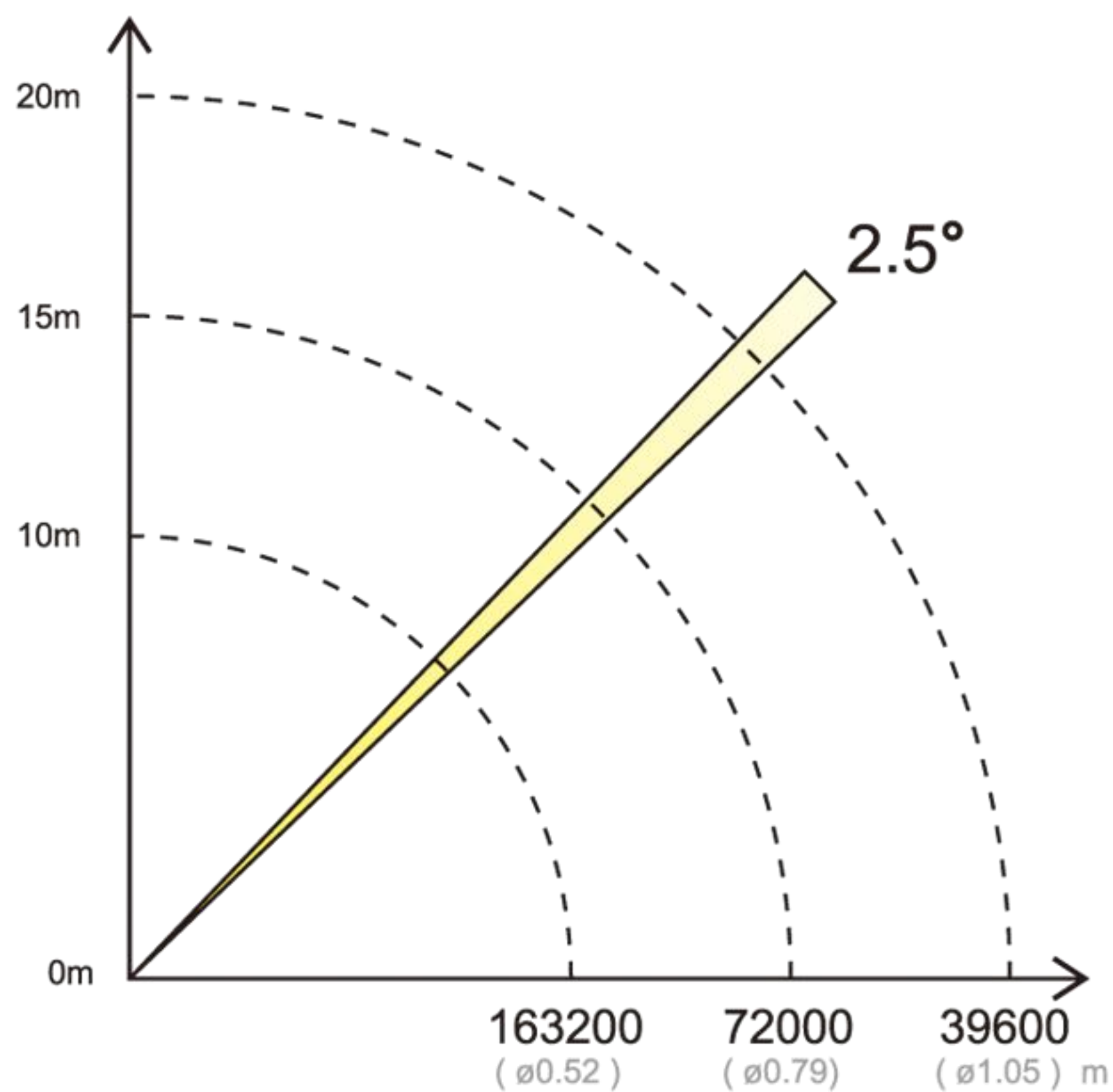
**Colors**



# 4 PHOTOMETRIC DATA

## PHOTOMETRIC BEAM ANGLE DATA

(FC=LUX × 0.0929)





## **5 OPERATION INSTRUCTIONS**

- The JUNIOR 7R BEAM is for beam effect for on-site decoration purpose.
- Don't turn on the fixture if it's been through severe temperature difference like after transportation because it might damage the light due to the environment changes. So make sure to operate the fixture until it is in normal temperature.
- This light should be keep away from strong shaking during any transportation or movement.
- Don't pull up the light by only the head, or it might cause damages to the mechanical parts.
- Don't expose the fixture in overheat, moisture or environment with too much dust when installing it. And don't lay any power cables on the floor. Or it might cause electronic shock to the people.
- Make sure the installation place is in good safety condition before installing the fixture.
- Make sure to put the safety chain and check whether the screws are screwed properly when installing the fixture.
- Make sure the lens are in good condition. It's recommended to replace the units if there are any damages or severe scratch.
- Make sure the fixture is operated by qualified personnel who knows the fixture before using.
- Keep the original packages if any second shipment is needed.
- Don't try to change the fixtures without any instruction by the manufacturer or the appointed repairing agencies.
- It is not in warranty range if there are any malfunctions from not following the user manual to operate or any illegal operation, like shock short circuit, electronic shock, lamp broke, etc.

## **6 INSTALLATIONS**

**Cautions:** For added protection mount the fixtures in areas outside walking paths, seating areas, or in areas were the fixture might be reached by unauthorized personnel.

Before mounting the fixture to any surface, make sure that the installation area can hold a minimum point load of 10 times the device's weight.

Fixture installation must always be secured with a secondary safety attachment, such as an appropriate safety cable.



Never stand directly below the device when mounting, removing, or servicing the fixture.

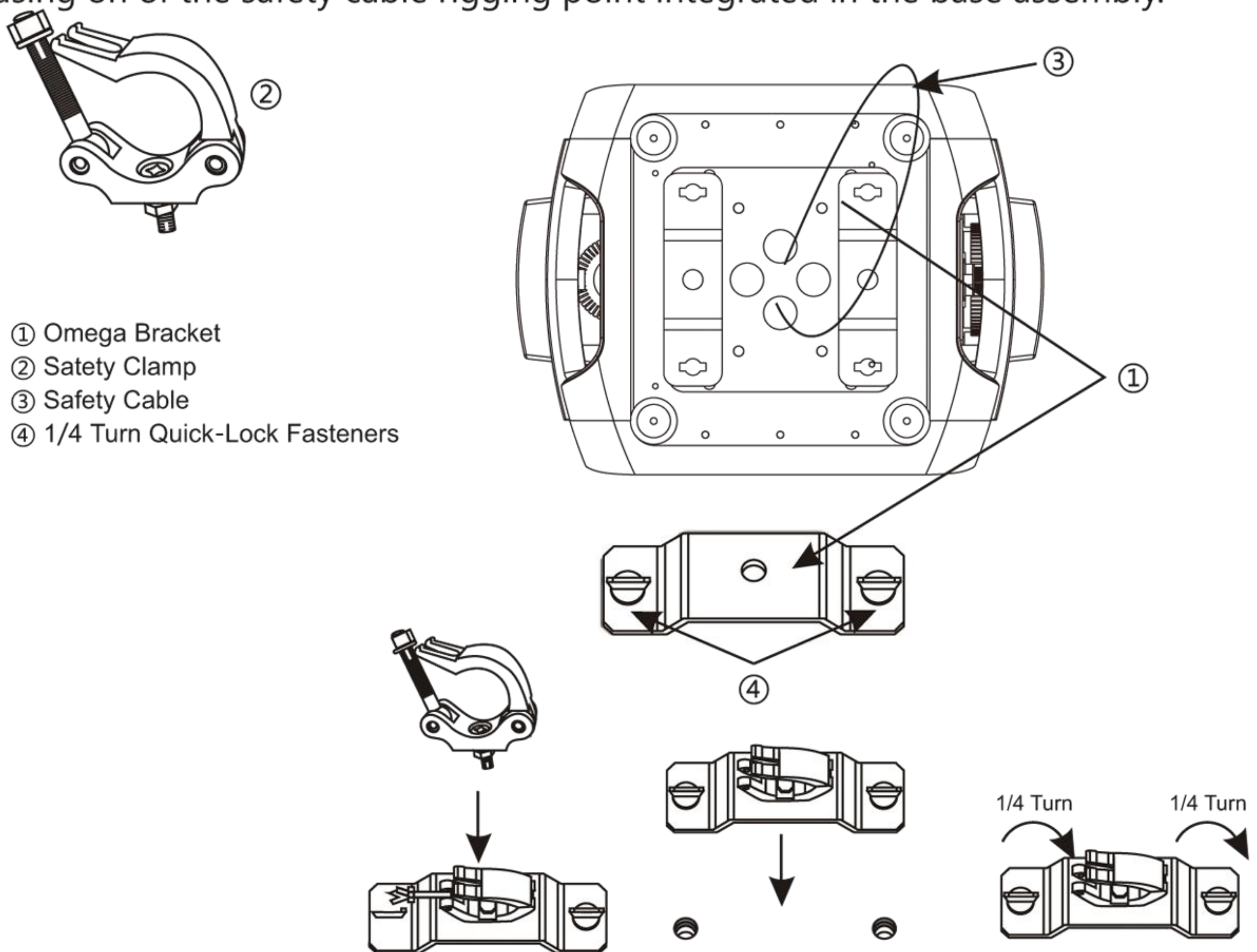
from a ceiling, or set on a flat level surface (see illustration below). Be sure this fixture is kept at least 0.5m (1.5 ft) away from any flammable materials (decoration etc.).

Always use and install the supplied safety cable as a safety measure to prevent accidental damage and/or injury in the event the clamp fails.

**Mounting points: Overhead mounting requires extensive experience, including** amongst others calculating working load limits, a fine knowledge of the installation material being used, and periodic safety inspection of all installation material and the fixture. If you lack these qualifications, do not attempt the installation yourself. Improper installation can result in bodily injury.

Be sure to complete all rigging and installation procedures before connecting the main power cord to the appropriate wall outlet.

**Clamp Mounting:** The JUNIOR 7R BEAM provides a unique mounting bracket assembly that integrates the bottom of the base, the included "Omega Bracket," and the safety cable rigging point in one unit (see the illustration below). When mounting this fixture to truss be sure to secure an appropriately rated clamp to the included omega bracket using a M10 screw fitted through the center hole of the "omega bracket". As an added safety measure be sure to attached at least one properly rated safety cable to the fixture using on of the safety cable rigging point integrated in the base assembly.

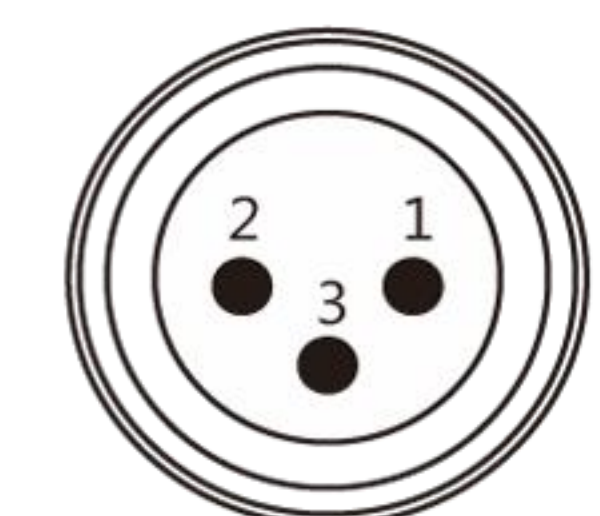
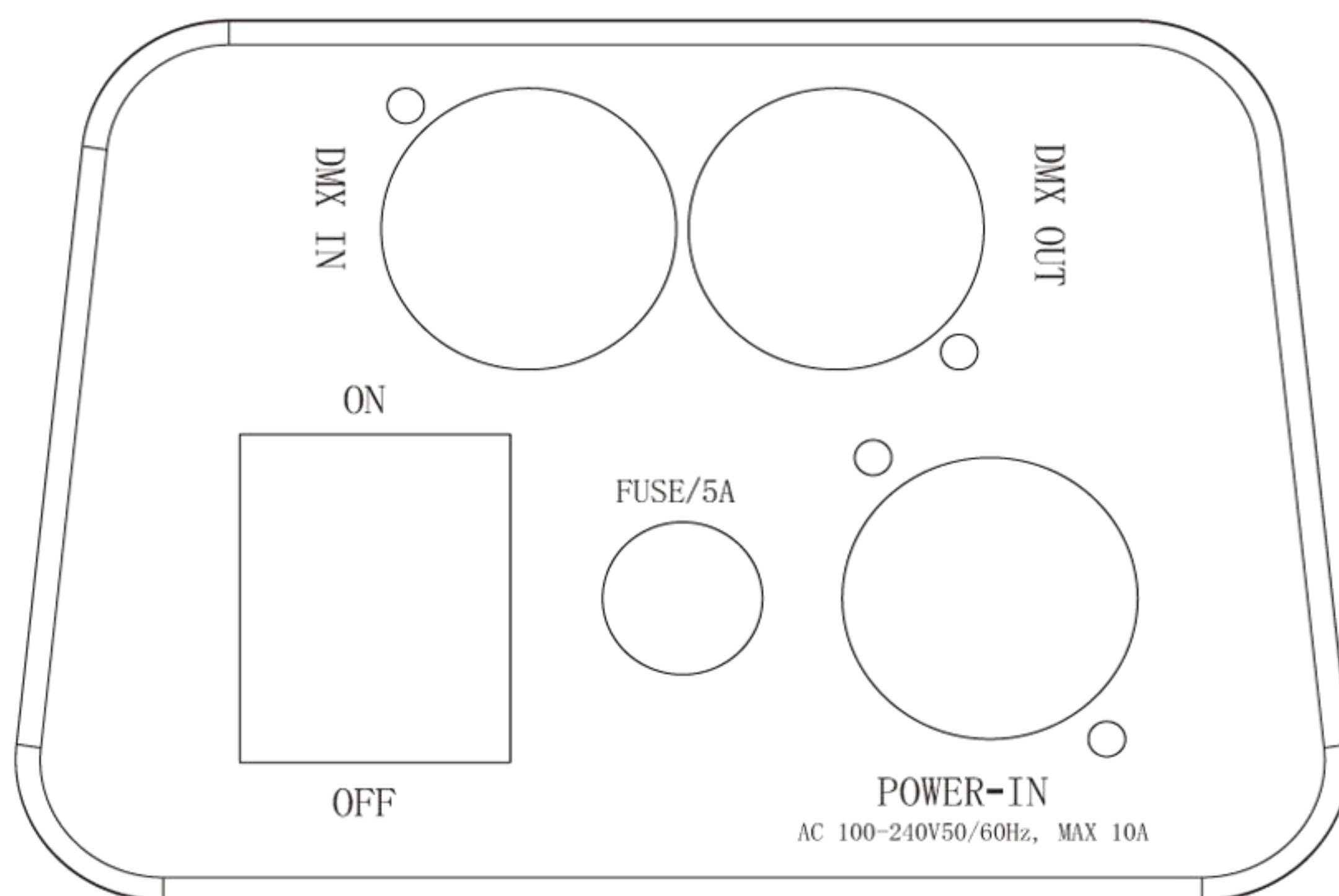




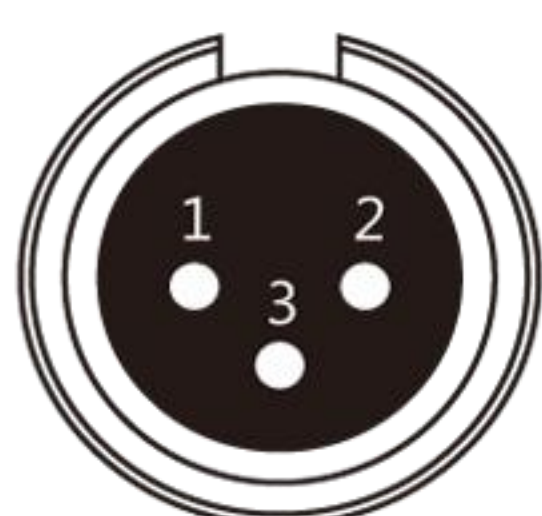
Regardless of the rigging option you choose for your JUNIOR 7R BEAM, always be sure to secure your fixture with a safety cable. The fixture provides a built-in rigging point for a safety cable on the hanging bracket as illustrated above. Be sure to only use the designated rigging point for the safety cable and never secure a safety cable to a carrying handle.

## **7 DMX-512 CONTROL CONNECTIONS**

Connect the provided XLR cable to the female 3-pin XLR output of your controller and the other side to the male 3-pin XLR input of the moving head. You can chain multiple Moving head together through serial linking. The cable needed should be two core, screened cable with XLR input and output connectors. Please refer to the diagram below.  
DMX-512 connection with DMX terminator

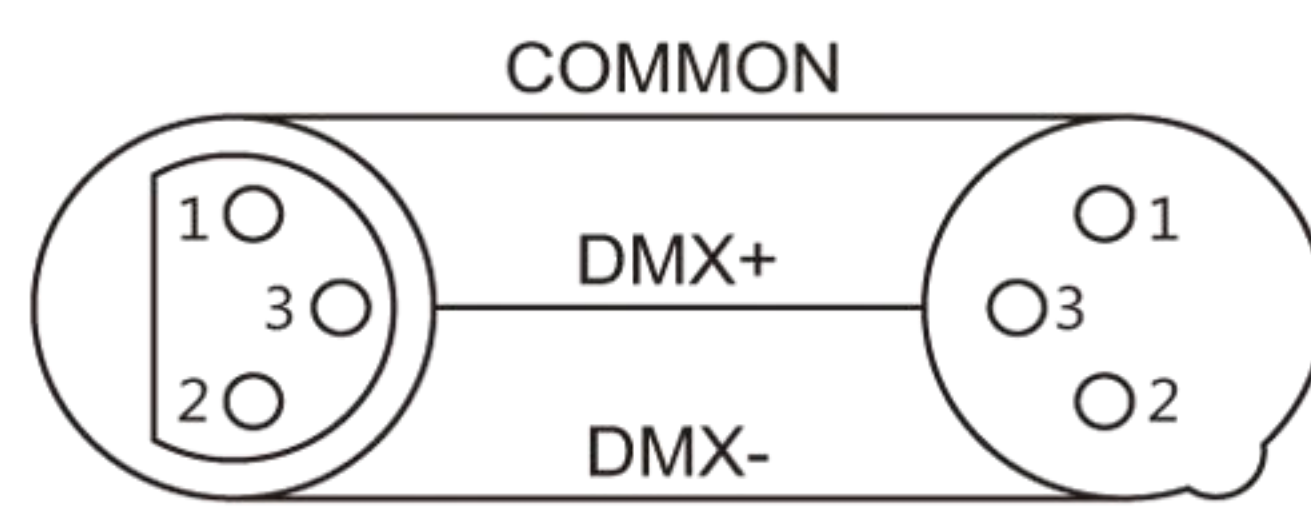


DMX Output  
3-Pin XLR Socket



DMX Input  
3-Pin XLR Socket

1:Ground  
2:Data(-)  
3:Data(+)

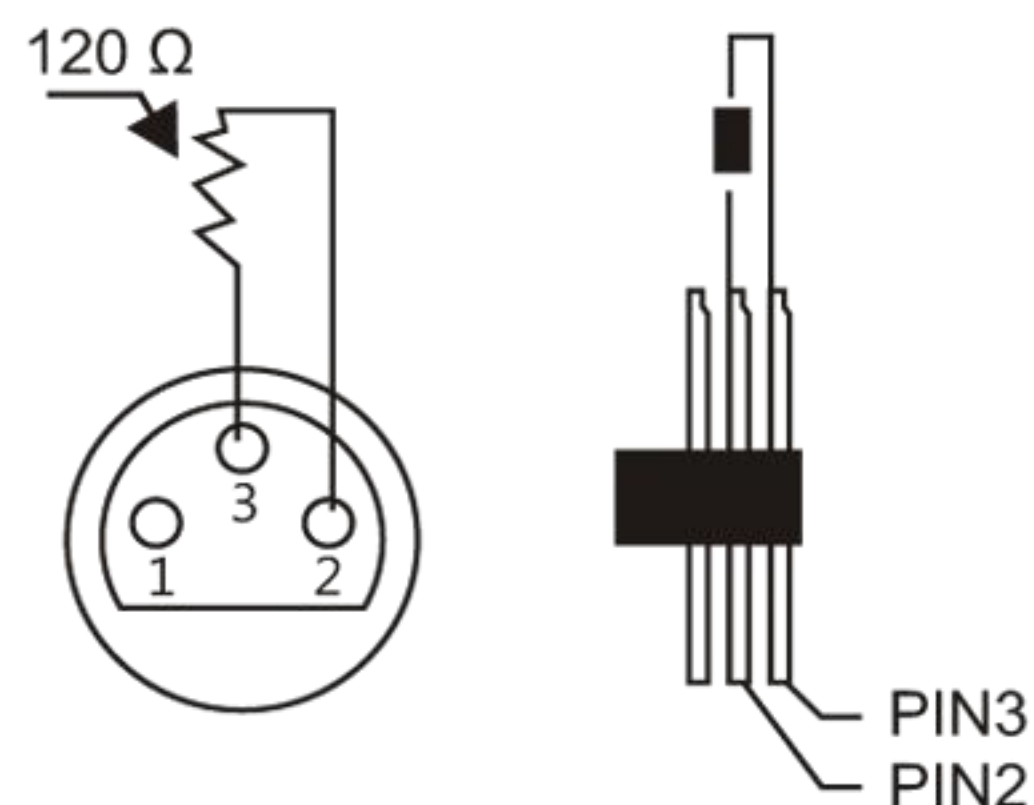


DMX512 OUT  
3-PIN XLR

DMX512 IN  
3-PIN XLR



For installations where the DMX cable has to run a long distance or is in an electrically noisy environment, such as in a discotheque, it is recommended to use a DMX terminator. This helps in preventing corruption of the digital control signal by electrical noise. The DMX terminator is simply an XLR plug with a 120 Ω resistor connected between pins 2 and 3, which is then plugged into the output XLR socket of the last fixture in the chain. Please see illustrations below.

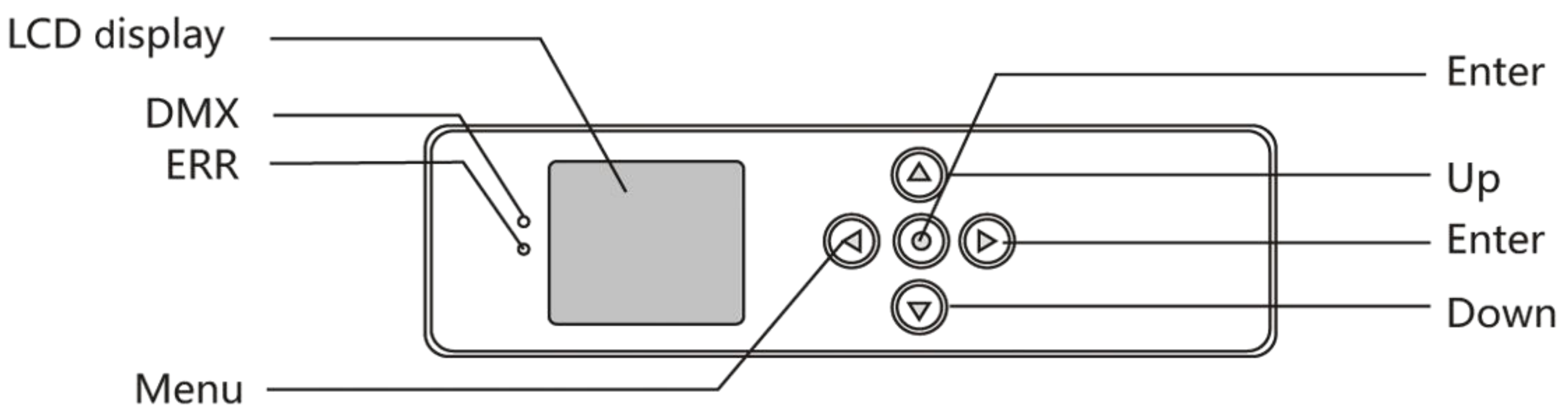


## 8 MENU OPERATIONS

MENU	Setup	RunMode	DMX
			Random
			Sound
			Auto
		DMX Address	001-512
		Channel Mode	Std.16CH
			Ext.20CH
		Sound Regulator	+000~-000
		Invert Pan	OFF
			ON
		Invert Tilt	OFF
			ON
		RDM	OFF
			ON
	No DMX Signal	KEEP	
		CLEAR	
	Display	OFF	
		ON	
	Lamp On@Startup	OFF	
		ON	
Load Default	Sure to Load Default?		
	Ok/Cancel		
Menu	Color	000-255	
	Shutter/Strobe	000-255	
	Dimmer	000-255	
	Gobo	000-255	
	Prism	000-255	
	Prism Rotation	000-255	
	Rfu 7	000-255	
	Frost	000-255	
	Focus	000-255	
	Pan	000-255	



		Pan Fine	000-255
		Tilt	000-255
		Tilt fine	000-255
		Rfu 14	000-255
		Reset	Sure to Reset? Ok/Cancel
		Lamp Power	OFF ON
	Sys	DMX Monitor	----
		System Errors	No error
		DIS:xxxx-xxxx-xxx-xxxx	
		N:xxxx-xxxx-xxx-xxxx	
		DATE:xx xx xx xx	
		TIME:00:00:00	
	Advan	Please input password: Ok/Canel	
	EN/中		
	180°		



## 9 DMX CHANNELS

Channel		Function	Values	Description
16CH	20CH			
1	1	Color Wheel	0	White/Open
			1-5	White+Color 1
			6-9	Color 1
			10-13	Color 1+Color 2
			14-18	Color 2
			19-22	Color 2+Color 3
			23-26	Color 3
			27-30	Color 3+Color 4
			31-35	Color 4
			36-39	Color 4+Color 5
			40-43	Color 5



1	1	Color wheel	44-47	Color 5+Color 6
			48-52	Color 6
			53-56	Color 6+Color 7
			57-60	Color 7
			61-64	Color 7+Color 8
			65-69	Color 8
			70-73	Color 8+Color 9
			74-77	Color 9
			78-82	Color 9+Color 10
			83-86	Color 10
			87-90	Color 10+Color 11
			91-94	Color 11
			95-99	Color 11+Color 12
			100-103	Color 12
			104-107	Color 12+Color 13
			108-111	Color 13
			112-116	Color 13+Color 14
117-120	Color 14			
121-124	Color 14+Color 15			
125-255	Color wheel rotation speed from slow to fast			
2	2	Strobe	0-3	Closed
			4-103	Strobe speed from slow to fast
			104-107	Open
			108-207	Pulse strobe from slow to fast
			208-212	Open
			213-225	Random strobe (slow)
			226-238	Random strobe (medium)
			239-251	Random strobe (fast)
			252-255	Open
3	3	Dimmer	0-255	0-100%dimmer
4	4	Gobo wheel	0-3	White/Open
			4-7	Gobo 1
			8-11	Gobo 2
			12-15	Gobo 3
			16-19	Gobo 4
			20-23	Gobo 5
			24-27	Gobo 6
			28-31	Gobo 7
			32-35	Gobo 8
			36-39	Gobo 9
			40-43	Gobo 10
			44-47	Gobo 11
			48-51	Gobo 12



4	4	Gobo wheel	52-55	Gobo 13
			56-59	Gobo 14
			60-63	Gobo 15
			64-67	Gobo 16
			68-71	Gobo 17
			72-113	Forward rotation from fast to slow
			114-117	Stop
			118-159	Backward rotation from slow to fast
			160-166	Gobo 1 shake from slow to fast
			167-172	Gobo 2 shake from slow to fast
			173-179	Gobo 3 shake from slow to fast
			180-185	Gobo 4 shake from slow to fast
			186-191	Gobo 5 shake from slow to fast
			192-198	Gobo 6 shake from slow to fast
			199-204	Gobo 7 shake from slow to fast
			205-211	Gobo 8 shake from slow to fast
			212-217	Gobo 9 shake from slow to fast
			218-223	Gobo 10 shake from slow to fast
			224-230	Gobo 11 shake from slow to fast
			231-236	Gobo 12 shake from slow to fast
237-244	Gobo 13 shake from slow to fast			
245-249	Gobo 14 shake from slow to fast			
250-255	Gobo 15 shake from slow to fast			
5	5	Prism	0-127	Prism excluded
			128-255	Prism inserted
6	6	Prism rotation	0-127	Adjustment angle
			128-190	Forward rotation from fast to slow
			191-192	Stop
			193-255	Backward rotation from slow to fast
7	7	Blank	0-255	Reserve
8	8	Frost	0-127	Frost excluded
			128-255	Frost inserted
9	9	Focus	0-255	In(near)to out(far)
10	10	Pan	0-255	Pan movement
11	11	Pan fine	0-255	Fine control of Pan movement
12	12	Tilt	0-255	Tilt movement
13	13	Tilt fine	0-255	Fine control of Tilt movement
14	14	Macro	0-255	Macro
15	15	Reset	0-25	Null
			26-76	Motor reset
			77-127	XY motor reset
			128-255	All motor reset
16	16	Lamp	0-25	Null



16	16	Lamp	26-100	Lamp off
			101-255	Lamp on
	17	X/Y Time	0-255	Pan/Tilt speed from fast to slow
	18	Color Time	0-255	Color wheel speed from fast to slow
	19	Speed 1	0-255	Prism/Frost/Strobe speed from slow to fast
	20	Speed 2	0-255	Gobo speed from slow to fast



# 10 MAINTENANCE AND CLEANING

The following points have to be considered during the inspection:

- 1) All screws for installing the devices or parts of the device have to be tightly connected and must not be corroded.
- 2) There must not be any deformations on the housing, color lenses, fixations and installation spots (ceiling, suspension, trussing).
- 3) Mechanically moved parts must not show any traces of wearing and must not rotate with unbalances.
- 4) The electric power supply cables must not show any damage, material fatigue or sediments.

Further instructions depending on the installation spot and usage have to be adhered by a skilled installer and any safety problems have to be removed.



## CAUTION

Disconnect from mains before starting maintenance operation.



In order to make the lights in good condition and extend the life time, we suggest a regular cleaning to the lights.

- 1) Clean the inside and outside lens each week to avoid the weakness of the lights due to accumulation of dust.
- 2) Clean the fan each week.
- 3) A detailed electric check by approved electrical engineer each three month, make sure that the circuit contacts are in good condition, prevent the poor contact of circuit from overheating.

We recommend a frequent cleaning of the device. Please use a moist, lint- free cloth. Never use alcohol or solvents.

There are no serviceable parts inside the device. Please refer to the instructions under "Installation instructions".

Should you need any spare parts, please order genuine parts from your local dealer.